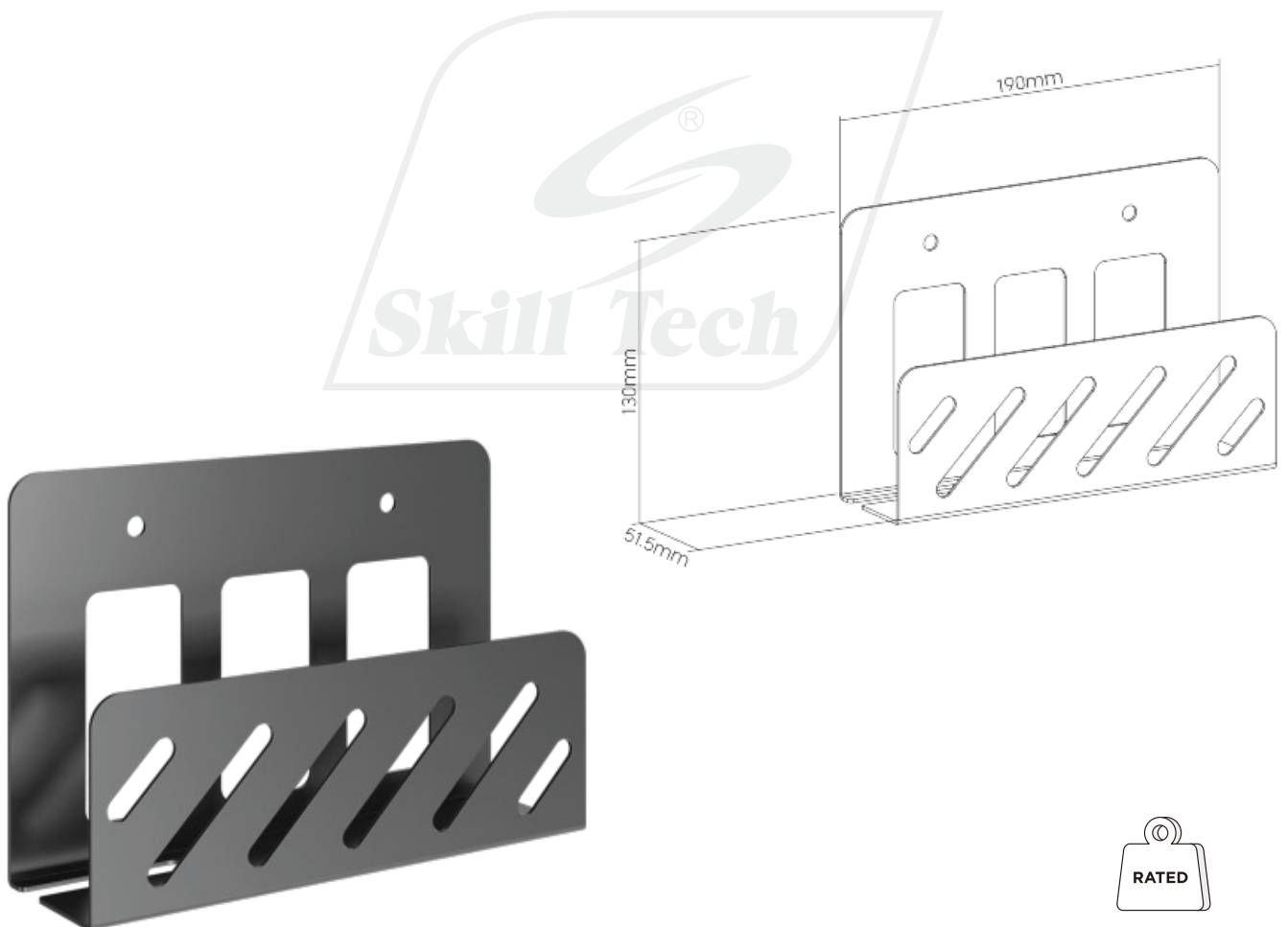
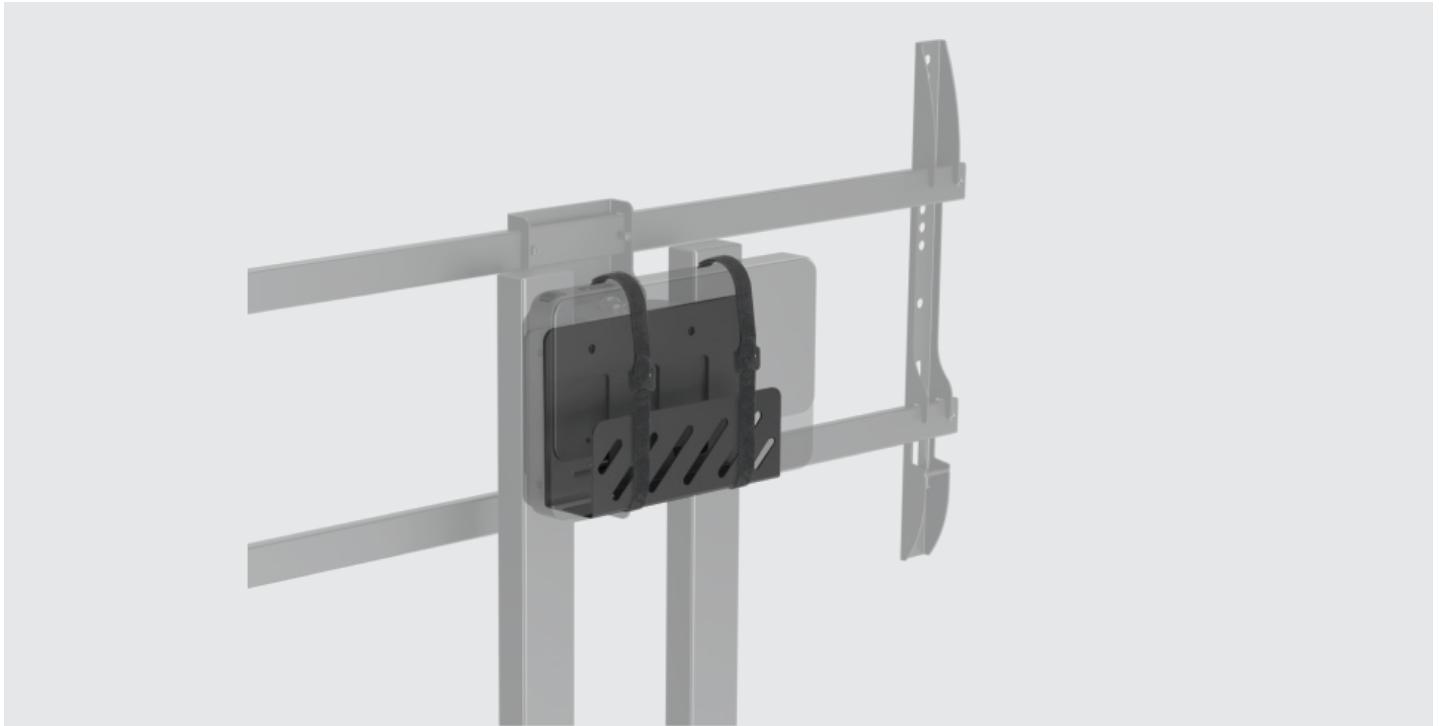


# SH FS46-A02 Media Player Mount



Weight Capacity  
**5 Kg**